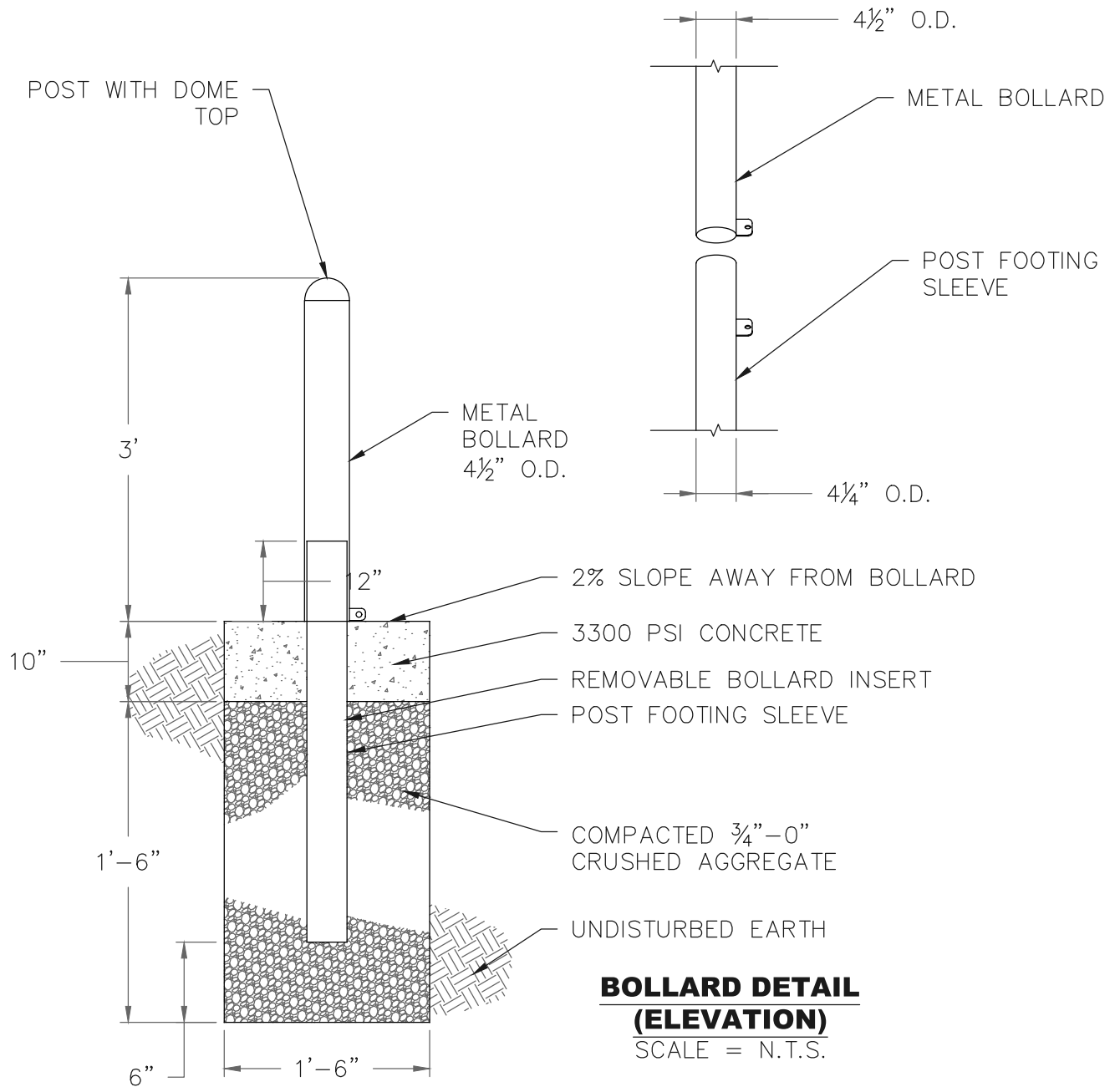


**BOLLARD SLEEVE & POST DETAIL
(CROSS-SECTION VIEW)**

SCALE = N.T.S.



NOTES:

1. DECORATIVE STANDARD BOLLARD MAY BE USED IF PRE-APPROVED BY CITY.
2. BOLLARD TO BE POWDER COATED BLACK OR DARK GREEN.



**CITY OF HAPPY VALLEY
ENGINEERING DIVISION**
16000 SE MISTY DRIVE
HAPPY VALLEY, OR 97086

DWG NO: 410

CITY ENGINEER
CAROL EARLE, P.E.

BOLLARDS

DATE: 4/1/2019

REVISED BY: PCB/JHH