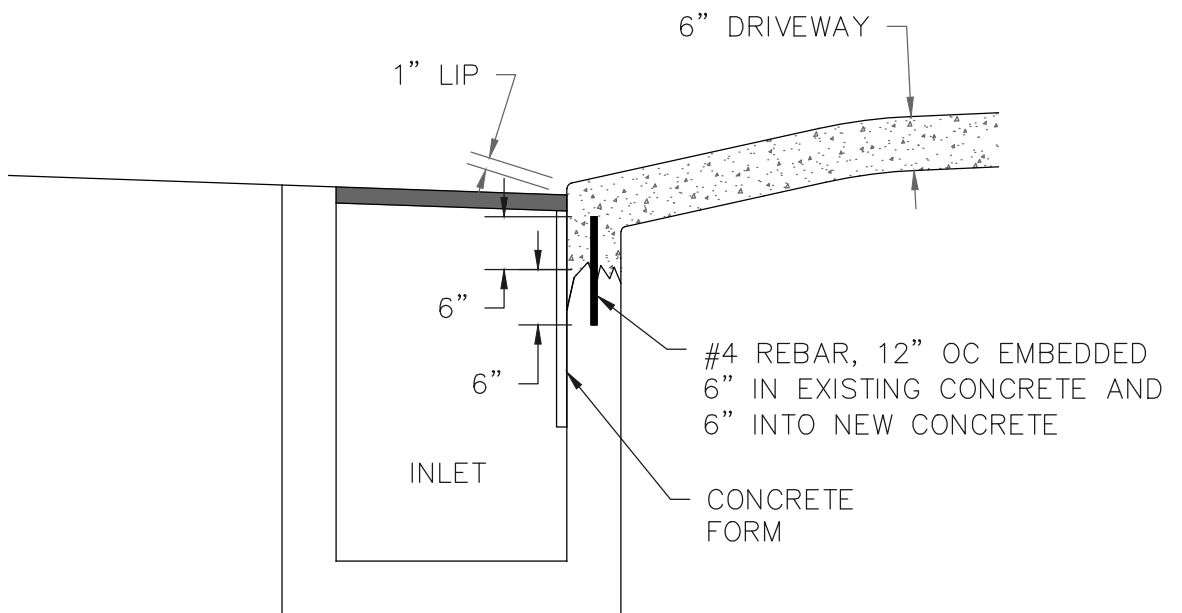


**DEMOLITION OF INLET COLLAR
(CROSS-SECTION VIEW)**

SCALE = N.T.S.



**RE-CONSTRUCTION OF INLET COLLAR
(CROSS-SECTION VIEW)**

SCALE = N.T.S.

NOTE:

1. TO BE USED WHERE AN EXISTING CURBSIDE INLET IS LOCATED IN FRONT OF PROPOSED DRIVEWAY.



**CITY OF HAPPY VALLEY
ENGINEERING DIVISION**
16000 SE MISTY DRIVE
HAPPY VALLEY, OR 97086

DWG NO: 290

CITY ENGINEER
CAROL EARLE, P.E.

RETROFIT OF INLET AT DRIVEWAY

DATE: 4/1/2019

REVISED BY: PCB/JHH