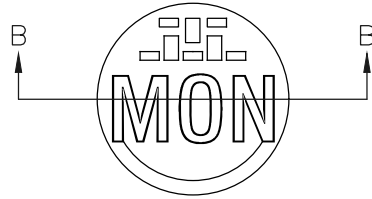


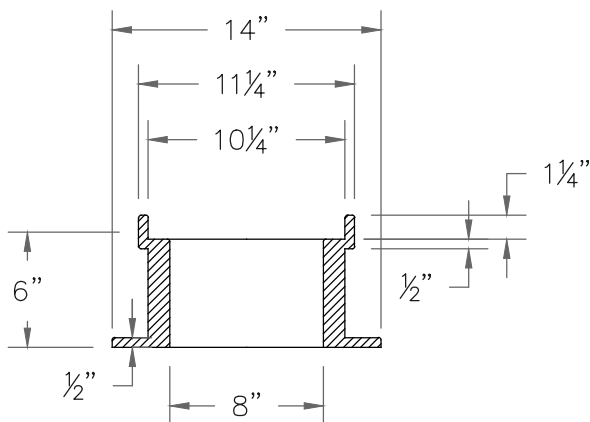
**MONUMENT BOX**

SCALE = N.T.S.



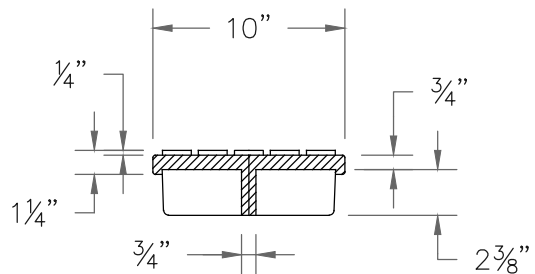
**MONUMENT BOX LID**

SCALE = N.T.S.



**SECTION A - A**

WEIGHT = 52 LBS  
SCALE = N.T.S.



**SECTION B - B**

WEIGHT = 25 LBS  
SCALE = N.T.S.

NOTES:

1. MONUMENT BOXES ARE REQUIRED FOR ALL PUBLIC LAND CORNER MONUMENTS THAT FALL WITHIN PAVED AREAS AS WELL AS FOR CENTERLINE MONUMENTS.
2. 8" BOXES ARE ACCEPTABLE FOR STREETS WITH SPEEDS LESS THAN 35 MPH.
3. 12" BOXES ARE REQUIRED FOR STREETS WITH SPEEDS GREATER THAN 35 MPH.
4. IF BOXES ARE INSTALLED AFTER THE PAVEMENT IS PLACED, USE A CIRCULAR CUT. FILL THE VOID WITH CONCRETE OR APPROVED EQUAL.
5. MUST BE FLUSH WITH SURROUNDING SURFACE.



**CITY OF HAPPY VALLEY  
ENGINEERING DIVISION**  
16000 SE MISTY DRIVE  
HAPPY VALLEY, OR 97086

**DWG NO: 170**

CITY ENGINEER  
CAROL EARLE, P.E.

**MONUMENT BOXES**

DATE: 4/1/2019

REVISED BY: PCB/JHH